

**CM Filter**

CM Filter

**Construction**

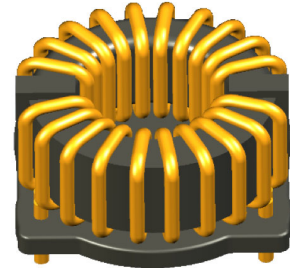
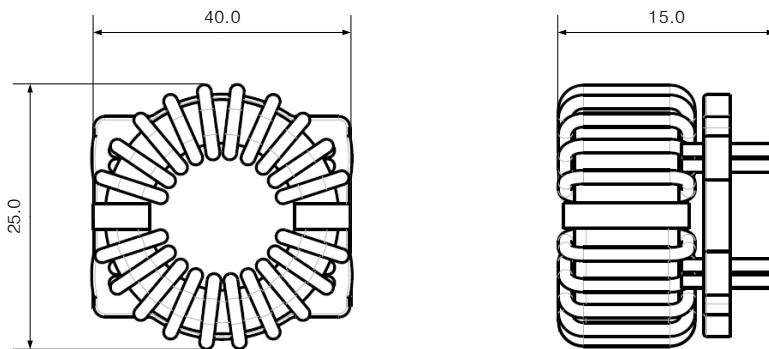
- Nano Crystal Powder

**Features**

- Qualified to AEC-Q200
- Operating temperature -50 ~ +125°C (Including self temperature)
- Custom made Products are also available
- High Temperature Stability
- Less loss on High Frequency

**Applications**

- Automotive
- LDC Power
- OBC

**Dimensions (Unit:mm)****Electrical Characteristics**

Ordering code	Inductance (mH,MAX)	DCR (mΩ,MAX)	Current (A,MAX)	Insulation Resistance (MΩ,MIN)
SCC-0215	15.5	755.0	50.0	100.0